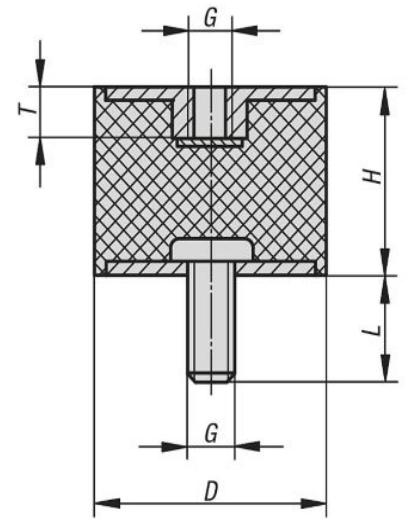


Gummi-Metall-Puffer Stahl

Gummi Metall Puffer Stahl Typ B



| Typ B | Material | D | H | G | L | T | Federsteifigkeit N/mm | Belastung N |
|--------|----------|----|----|-----|----|----|--------------------------|-------------|
| Typ 1 | Stahl | 8 | 8 | M3 | 6 | 3 | 35 | 17 |
| Typ 2 | Stahl | 10 | 10 | M4 | 10 | 4 | 75 | 75 |
| Typ 3 | Stahl | 10 | 15 | M4 | 10 | 4 | 50 | 60 |
| Typ 4 | Stahl | 15 | 10 | M4 | 10 | 4 | 130 | 130 |
| Typ 5 | Stahl | 15 | 15 | M4 | 10 | 4 | 100 | 120 |
| Typ 6 | Stahl | 20 | 15 | M6 | 18 | 6 | 325 | 390 |
| Typ 7 | Stahl | 20 | 20 | M6 | 18 | 6 | 130 | 260 |
| Typ 8 | Stahl | 20 | 25 | M6 | 18 | 6 | 95 | 210 |
| Typ 9 | Stahl | 25 | 15 | M6 | 18 | 6 | 333 | 399 |
| Typ 10 | Stahl | 25 | 20 | M6 | 18 | 6 | 195 | 410 |
| Typ 11 | Stahl | 25 | 25 | M6 | 18 | 6 | 117 | 257 |
| Typ 12 | Stahl | 25 | 30 | M6 | 18 | 6 | 100 | 300 |
| Typ 13 | Stahl | 30 | 15 | M8 | 23 | 8 | 590 | 708 |
| Typ 14 | Stahl | 30 | 20 | M8 | 23 | 8 | 280 | 560 |
| Typ 15 | Stahl | 30 | 25 | M8 | 23 | 8 | 180 | 396 |
| Typ 16 | Stahl | 30 | 30 | M8 | 23 | 8 | 168 | 504 |
| Typ 17 | Stahl | 30 | 40 | M8 | 23 | 8 | 88 | 308 |
| Typ 18 | Stahl | 40 | 20 | M8 | 23 | 8 | 700 | 840 |
| Typ 19 | Stahl | 40 | 30 | M8 | 23 | 8 | 273 | 820 |
| Typ 20 | Stahl | 40 | 40 | M8 | 23 | 8 | 189 | 660 |
| Typ 21 | Stahl | 50 | 20 | M10 | 28 | 10 | 1471 | 2500 |
| Typ 22 | Stahl | 50 | 25 | M10 | 28 | 10 | 630 | 1386 |
| Typ 23 | Stahl | 50 | 30 | M10 | 28 | 10 | 545 | 1635 |
| Typ 24 | Stahl | 50 | 40 | M10 | 28 | 10 | 310 | 1116 |
| Typ 25 | Stahl | 50 | 50 | M10 | 28 | 10 | 180 | 900 |
| Typ 26 | Stahl | 60 | 40 | M10 | 28 | 10 | 500 | 1750 |
| Typ 27 | Stahl | 70 | 45 | M10 | 28 | 10 | 600 | 2400 |
| Typ 28 | Stahl | 75 | 25 | M12 | 37 | 12 | 2440 | 3660 |

Maße in mm